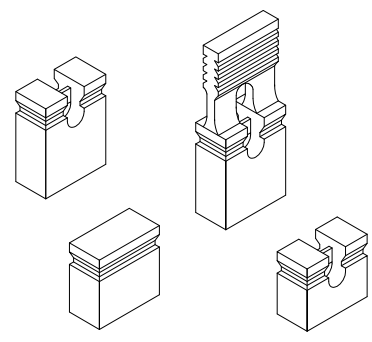
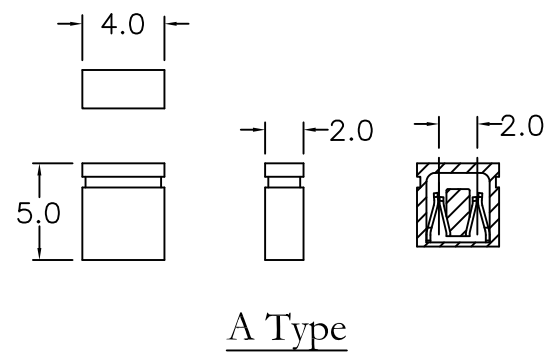
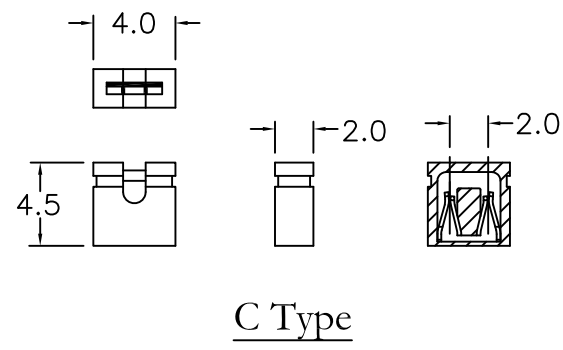
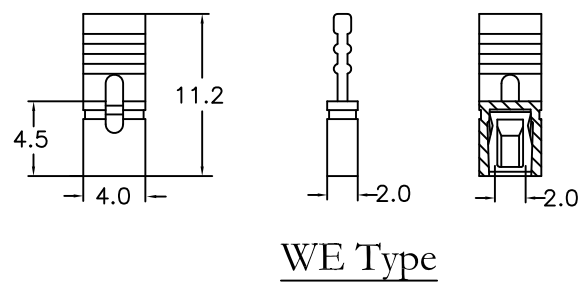
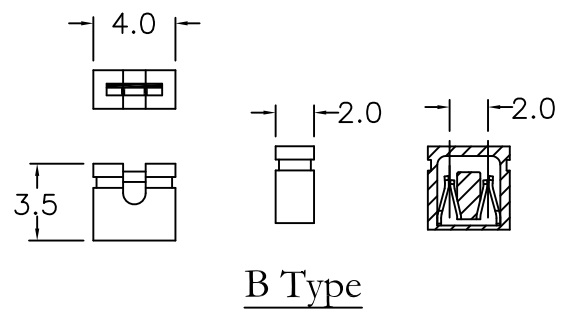


| | | | |
|------|---------------|---------|-------|
| REV. | SPECIFICATION | ECN NO. | APPD. |
| | | | |



Material:
Housing: Thermoplastic Polyester Glass Filled UL94V-0.
Contacts: Copper Alloy.
Plated: Gold Plated in Contact Area, Nickel Plated Overall.
Electrical Characteristics:
Current Rating: 1 AMP.
Insulator Resistance: 1000MΩ min. at DC 500V.
Contact Resistance: 20mΩ max. at DC 100mA.
Operating Temperature: -55°C~+85°C.
***RoHS Compliant**



2106- x - B B
Series A: A Type B: Black Insulator B: Bulk Package
 B: B Type
 C: C Type
 WE: WE Type
 R: Red
 U: Blue

| | | | | | | | | |
|-------------------|-------------------|----------------|---------------|-----|---|----|--------------|-----|
| Tolerances | Dwg. No. | 2106D02001 | Title: | | OUPIN OUPIN ELECTRONIC(KUNSHAN) CO., LTD. P/N: 2106-x-BB | | | |
| x = ±0.5 | Projection | | 2106 Series | | | | | |
| .x = ±0.25 | Unit | mm | Scale | 1:1 | Mini Jumper 2.0mm | | SHEET | 1/1 |
| .xx = ±0.15 | Drawn By | Scott 05/05'16 | 0535/740 | | Ver.No. | A5 | | |